

### 500S-BASIC EXCELLENT SERIES



- Food waste that is fibrous / filamentous
- Hard food waste, such as bones in larger quantities
- Tough food waste, such as skins and tendons

- Robust disposer with unique cutting features for efficient grinding of fibrous / filamentous and also tough food waste
- The disposer is particularly suitable in food industry & trade as well as in commercial kitchens where such long-fibrous, tough and hard food waste is found in larger quantities

Disperator food waste disposers are used in galleys and kitchens around the world, providing an efficient and immediate removal of food waste whenever it arises. Thereby improving hygiene in the working environment, eliminating bad odors and bacteria formation and minimizing manual handling.

The quality grinding unit with hardness from specially cast steel alloys, together with the unique sealing design between grinder and motor, ensure years of reliable operation and low maintenance cost. In addition to the special alloys, all parts of the disposer grinding unit are designed for optimal cutting function. The life of the disposer is further extended by protective and easily cleanable outer casing in stainless steel EN1.4301 (AISI 304). Important for the recognized long service life of Disperator's disposers is also the protection rating IP55 or higher on all electrical components.

A set of different mounting assemblies allows installation of the disposer under sinks and washing lines, into table tops and working benches or freestanding as

separate units. In addition, depending on the type of workplace in the kitchen/galley, it is possible to choose between continuous or batch feeding of food waste into the disposer. Data sheets describing Disperator mounting assemblies above disposer inlets necessary to comply with EU Machine Directive 2006/42 / EC and CE-marking will be sent on request.

Standard delivery includes a complete contactor with motor overload protector, and a complete solenoid valve with line strainer, to be installed at site. Cold water will automatically flow through a nozzle when the disposer starts and flush the food waste into the disposer and after grinding into the municipal sewer or to a tank.

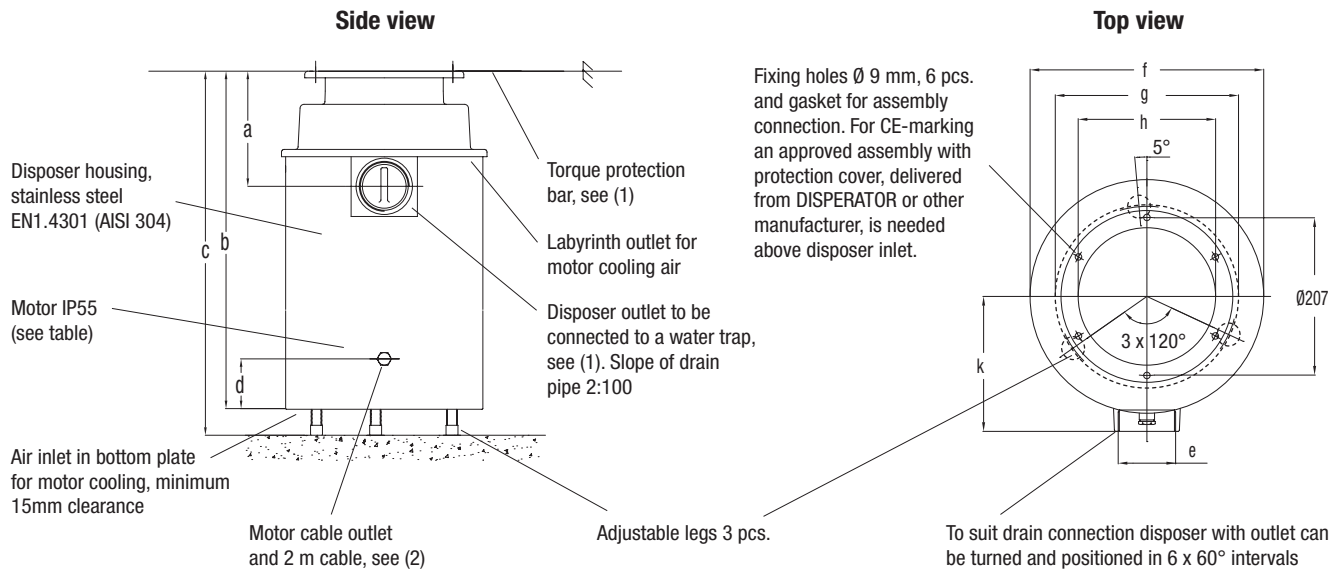
Food waste disposers in the Disperator Excellent Series have the Declaration of Compliance issued by DNV verifying compliance with applicable sections of IMO MARPOL consolidated edition 2017 ANNEX V for disposal of ground food waste into the open sea.

## Disperator AB

Mälurvägen 9, SE-141 71 Segeltorp, Sweden  
Tel +46 8 724 01 60, Fax +46 8 724 60 70  
info@disperator.se, www.disperator.se



## 500S-BASIC EXCELLENT SERIES



All measurements in mm

Technical Specification	530S	550S	575S
Normal capacity, kg / hr	700	850	1000
Electrical power, kW	2,2	4,0	5,5
<i>Rated current, A to be set on the disposer motor protector for the following voltages:</i>			
400 V / 3 ph. / 50 Hz	5,5	9,0	12,0
440 V / 3 ph. / 60 Hz	5,5	7,5	10,0
480 V / 3 ph. / 60 Hz	5,0	7,5	10,0
Other 3-ph. voltages available.			
Control voltage	For marine installation the same as motor voltage, for land installation 230V / 50Hz		
Fuse rating, slow	16 A	16 A	16 A
Characteristic for automatic fuse	D (slow)	D (slow)	D (slow)
Gross / net weight, kg	49 / 45	52 / 48	58 / 54
Measurement a	176	176	176
Measurement b	560 see (3)	560 see (3)	655
Measurement c	560-740 see (3)	560-740 see (3)	655-835
Measurement d	75	75	75
Measurement e	← G2 ½ " (BSPP), internal thread →		
Measurement f	310	310	310
Measurement g (leg)	236	236	236
Measurement h (inlet)	174	174	174
Measurement k	176	176	176

Subject to change without notice

- Installation material needed but not incl. in standard delivery are:
  - main electrical safety switch placed on wall/bulkhead for incoming electricity,
  - hose with protective steel-covered stocking (minimum inner-Ø 9mm) for cold flush water,
  - back siphonage valve for flush water,
  - water trap for connection to disposer outlet,
  - torque protection bar for fixating the disposer,
  - silencing inlet seal (optional).

Can be ordered from DISPERATOR.
- For connection to start/stop unit including contactor and overload protector (IP66) placed on wall/bulkhead. Start/stop unit to be connected to main electrical safety switch, see (1), but not to earth leakage circuit breaker.
- Short version (b = 525 mm and c = 525-705 mm) and long version (b = 655 mm and c = 655-835 mm) available as option.
- User manual with installation and service instructions, laminated operating instructions and laminated safety instructions as well as electrical documentation are included in delivery.

## Disperator AB

Mälurvägen 9, SE-141 71 Segeltorp, Sweden  
Tel +46 8 724 01 60, Fax +46 8 724 60 70  
info@disperator.se, www.disperator.se